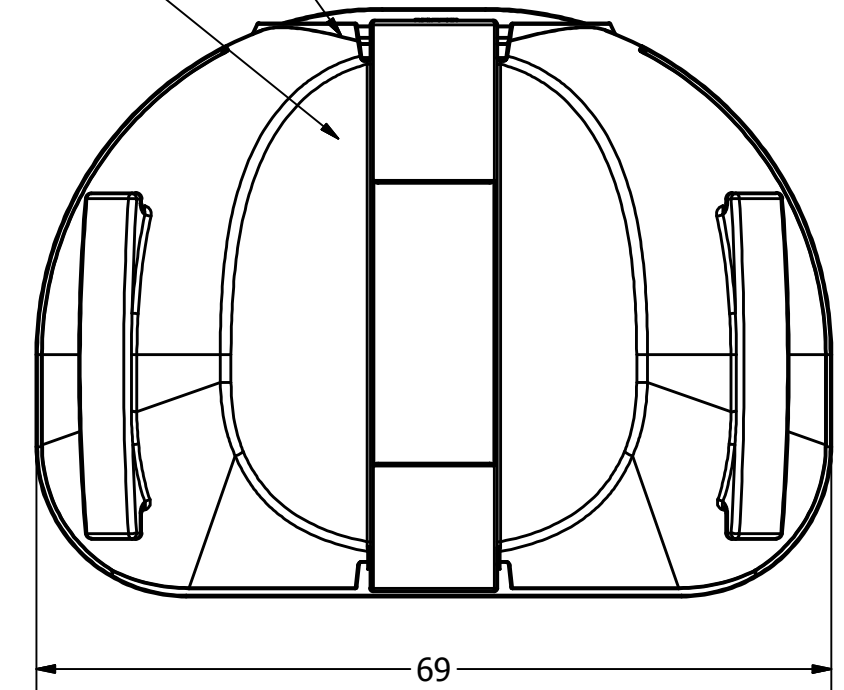
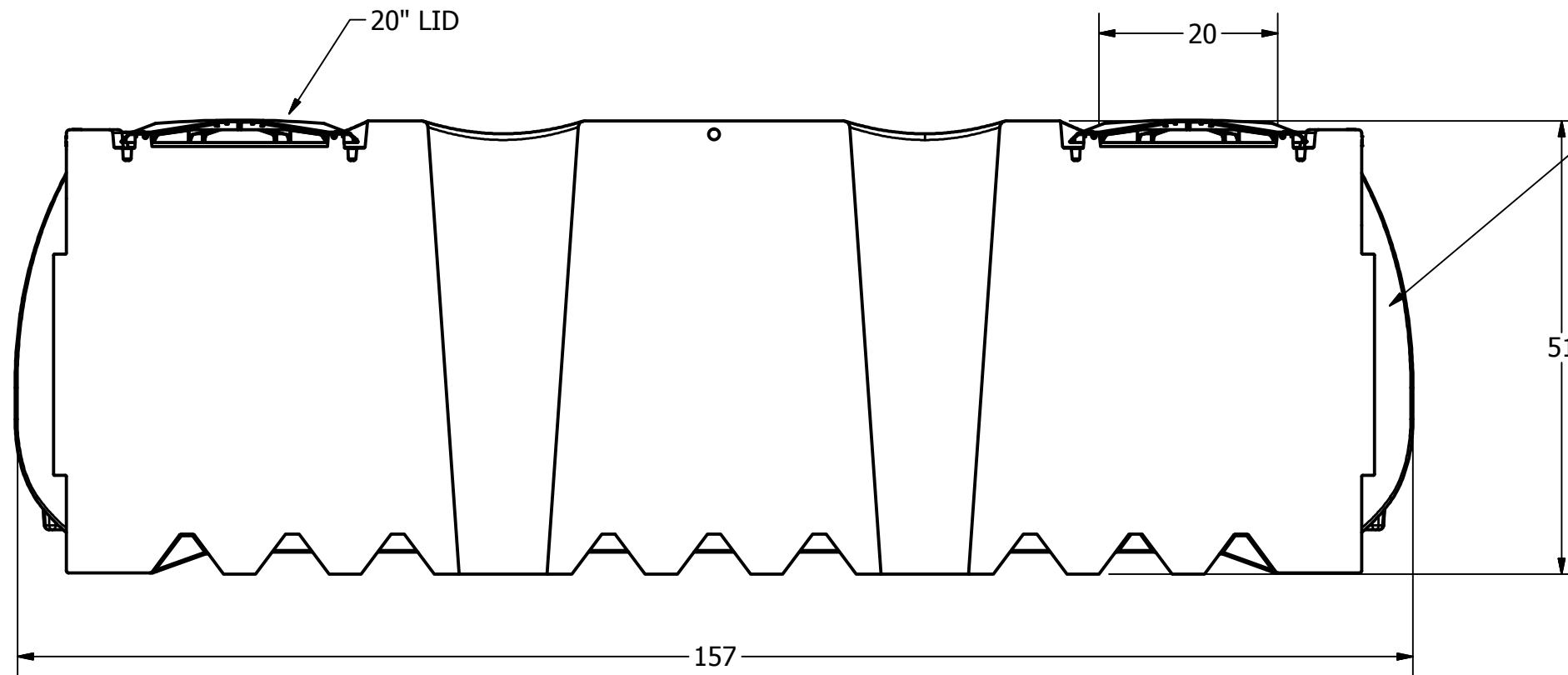


MATERIAL: HIGH-DENSITY POLYETHYLENE
 NSF 61 LISTED
 1725 US GALLONS WORKING CAPACITY


ZONE		REV	REVISION HISTORY	DATE	APPROVED
			DESCRIPTION		

SERIAL NUMBER EMBOSSD HERE
 CAN BE REFERENCED TO THE
 DATE OF MANUFACTURE

NORWESCO, INC.
 ST. BONIFACIUS, MN



ALL DIMENSIONS ARE IN INCHES, NOMINAL, AND SUBJECT TO CHANGE WITHOUT NOTICE.
 ALL DIMENSIONS ON ROTATIONALLY MOLDED PARTS ARE SUBJECT TO A ±3% TOLERANCE

DRAWN Todd Bolzer	7/6/2015	 NORWESCO NORWESCO, INC., ST. BONIFACIUS, MN	TITLE	
CHECKED			1725 LOW PROFILE CISTERN	
QA		SIZE	DWG NO	REV
MFG		B	44407	
APPROVED		SCALE: 1/16		SHEET 1 OF 1